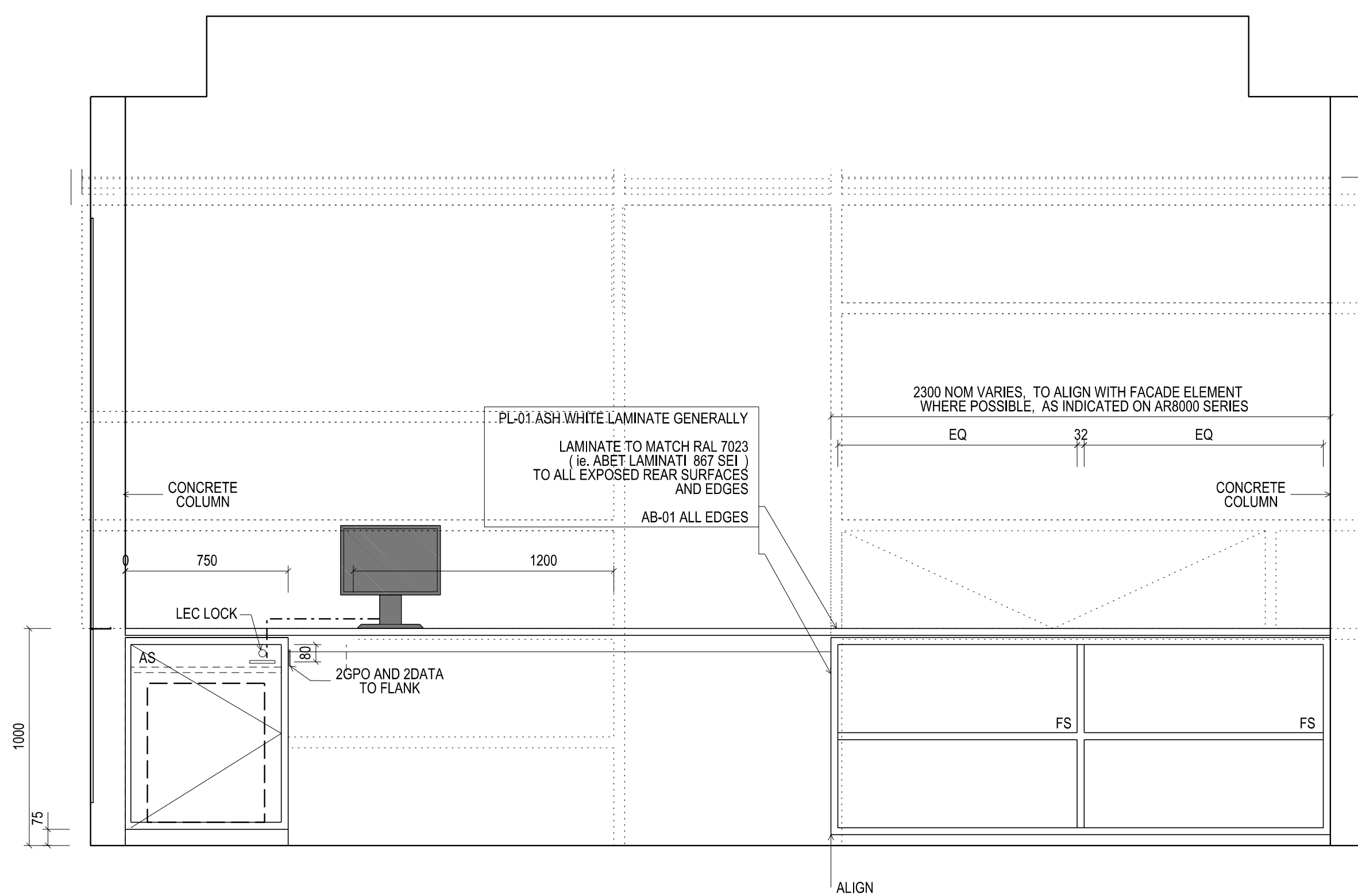
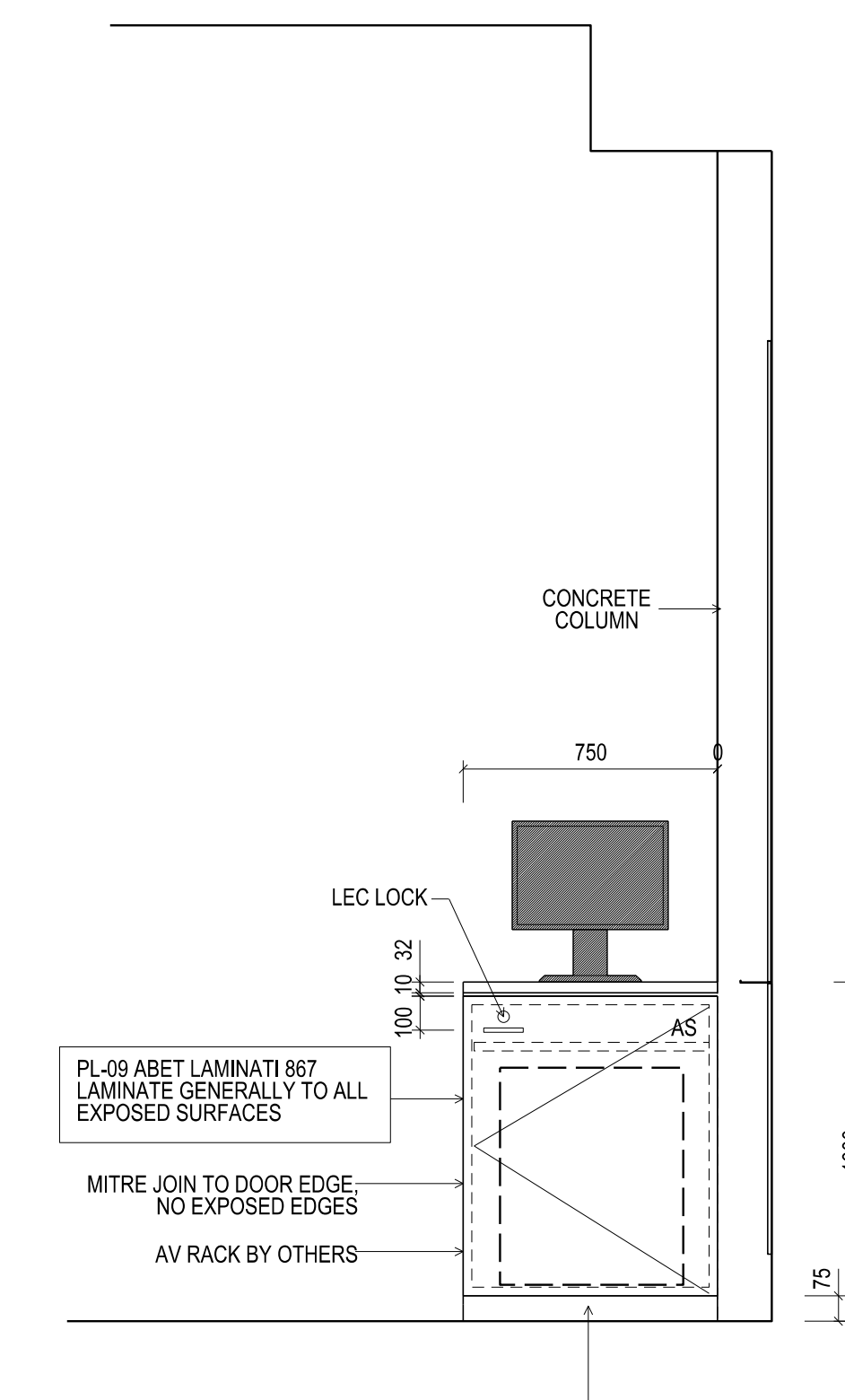


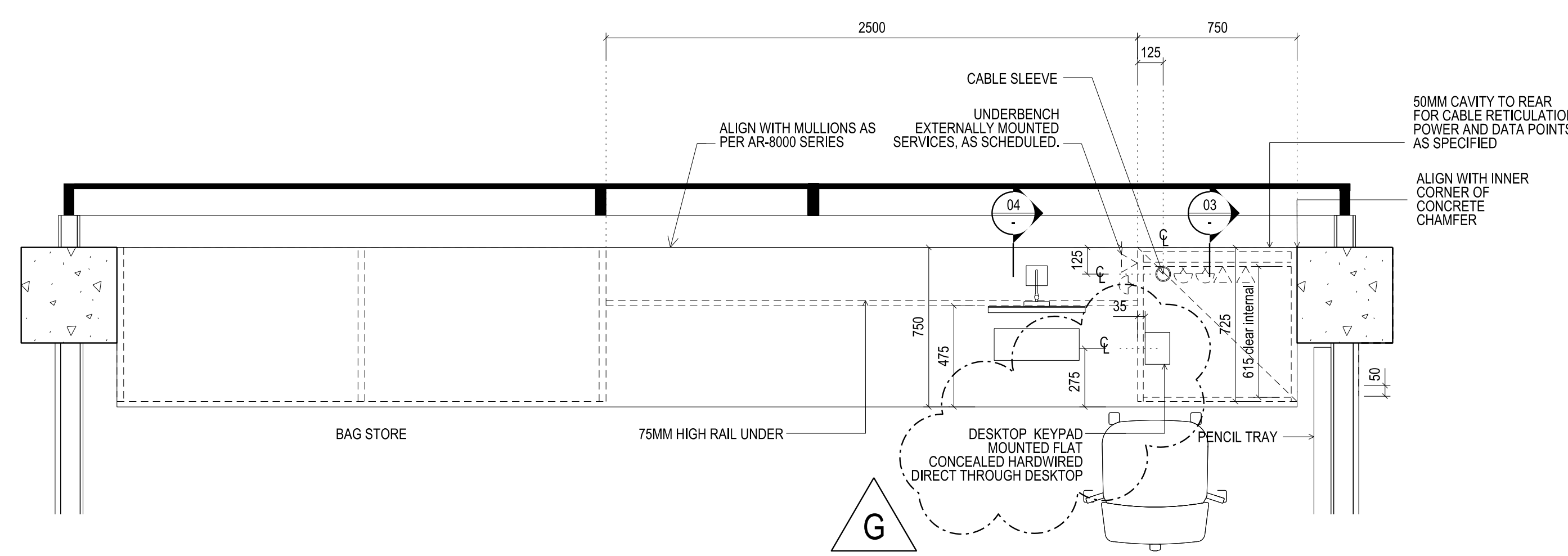
ELEVATION
TYPICAL STUDIO JOINERY
SCALE 1:20@A0



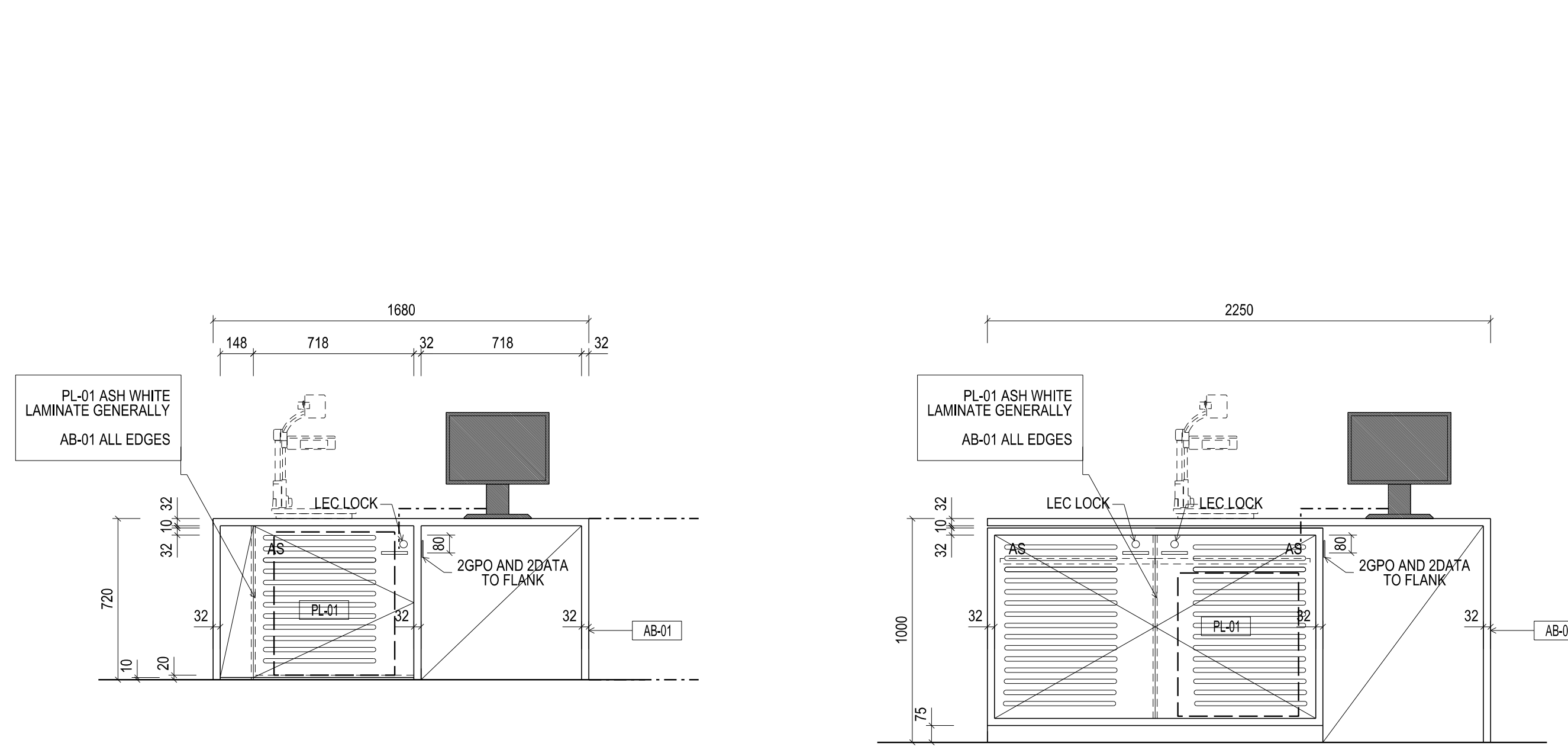
ELEVATION (MIRROR)
TYPICAL STUDIO JOINERY
SCALE 1:20@A0



ELEVATION
STUDIO JOINERY (ROOMS 138, 139, 140, 141, 142 ONLY)
SCALE 1:20@A3

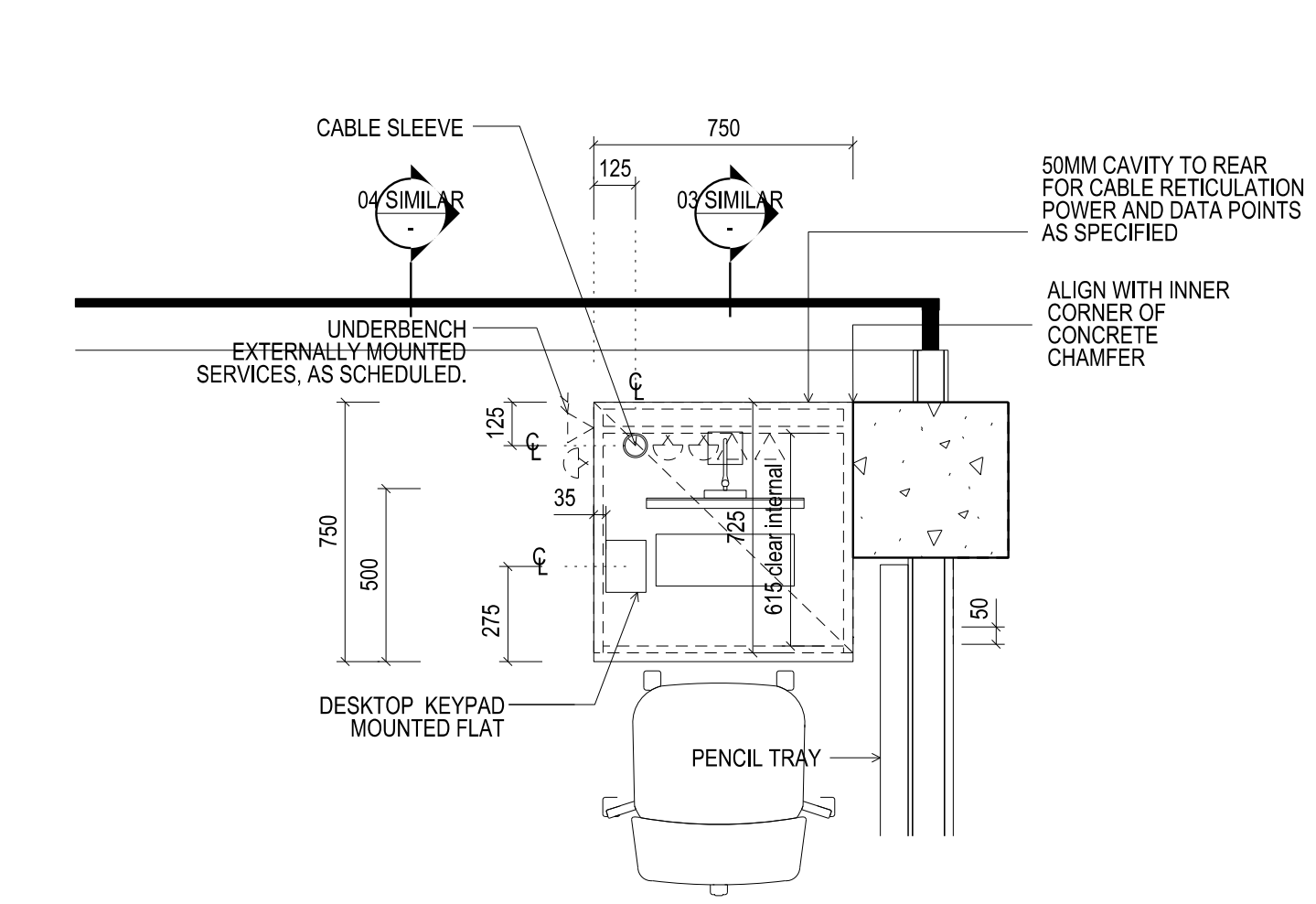


PLAN
TYPICAL STUDIO JOINERY
SCALE 1:20@A0



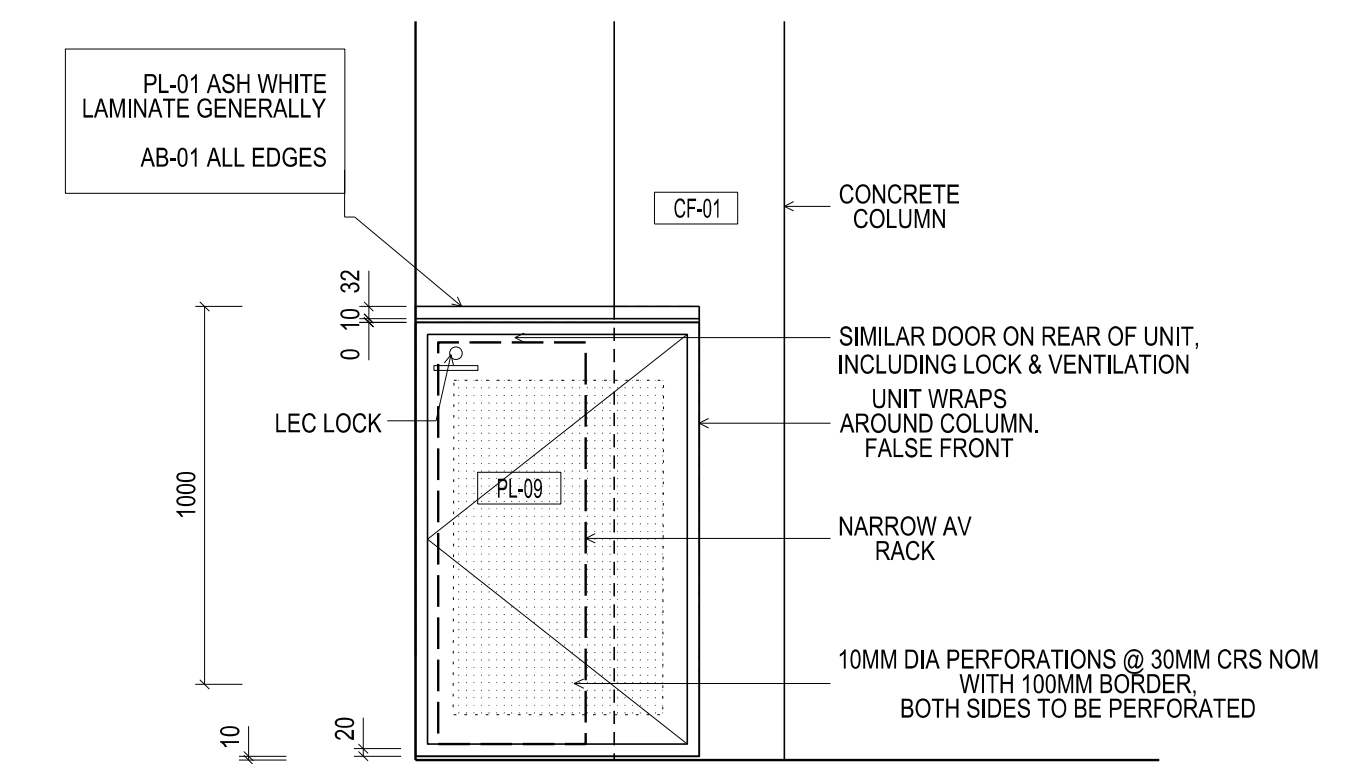
ELEVATION
CAD LAB JOINERY (ROOM 129)
SCALE 1:20@A3

ELEVATION
CAD LAB JOINERY (ROOM 245)
SCALE 1:20@A3

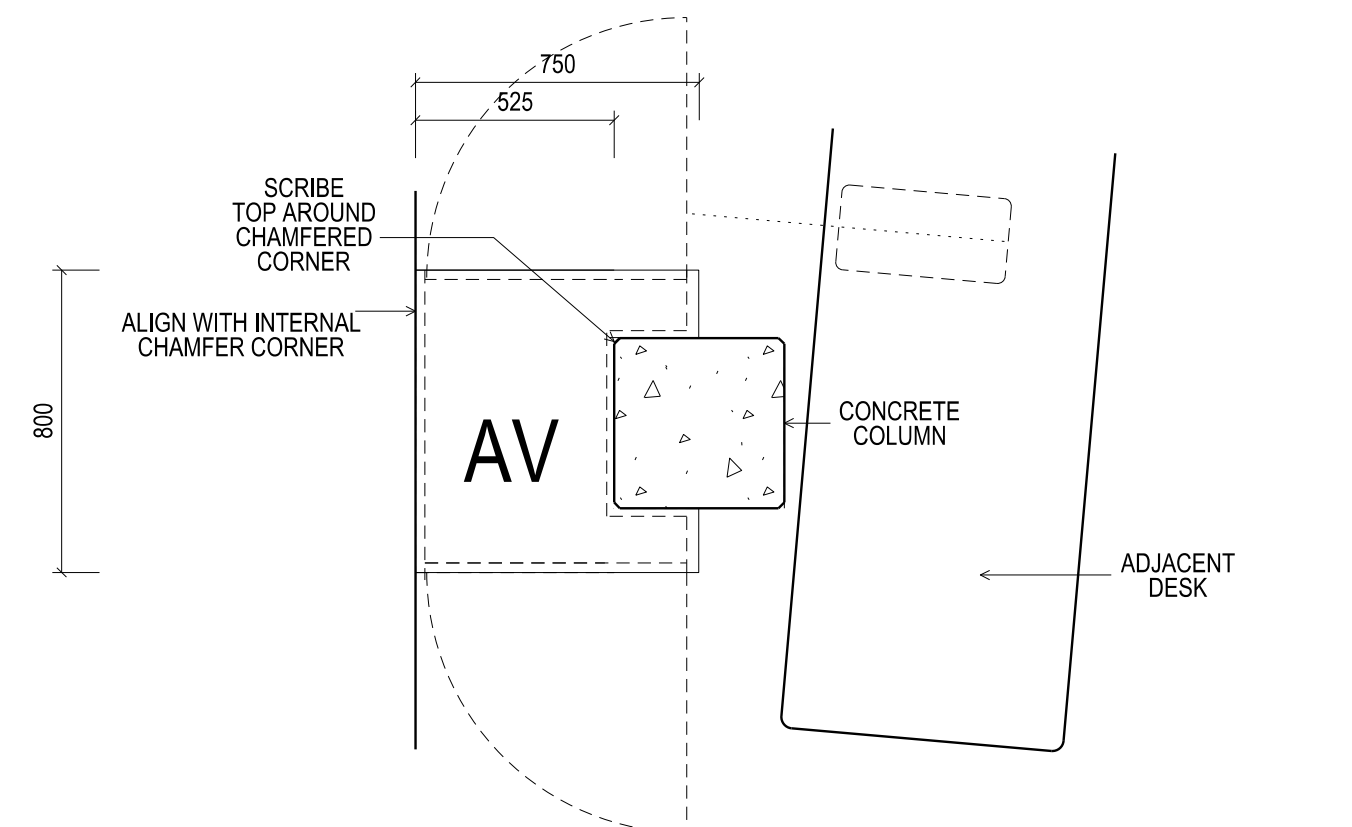


ELEVATION
STUDIO JOINERY (ROOMS 138, 139, 140, 141, 142 ONLY)
SCALE 1:20@A3

TYPE A - STUDIOS GENERALLY

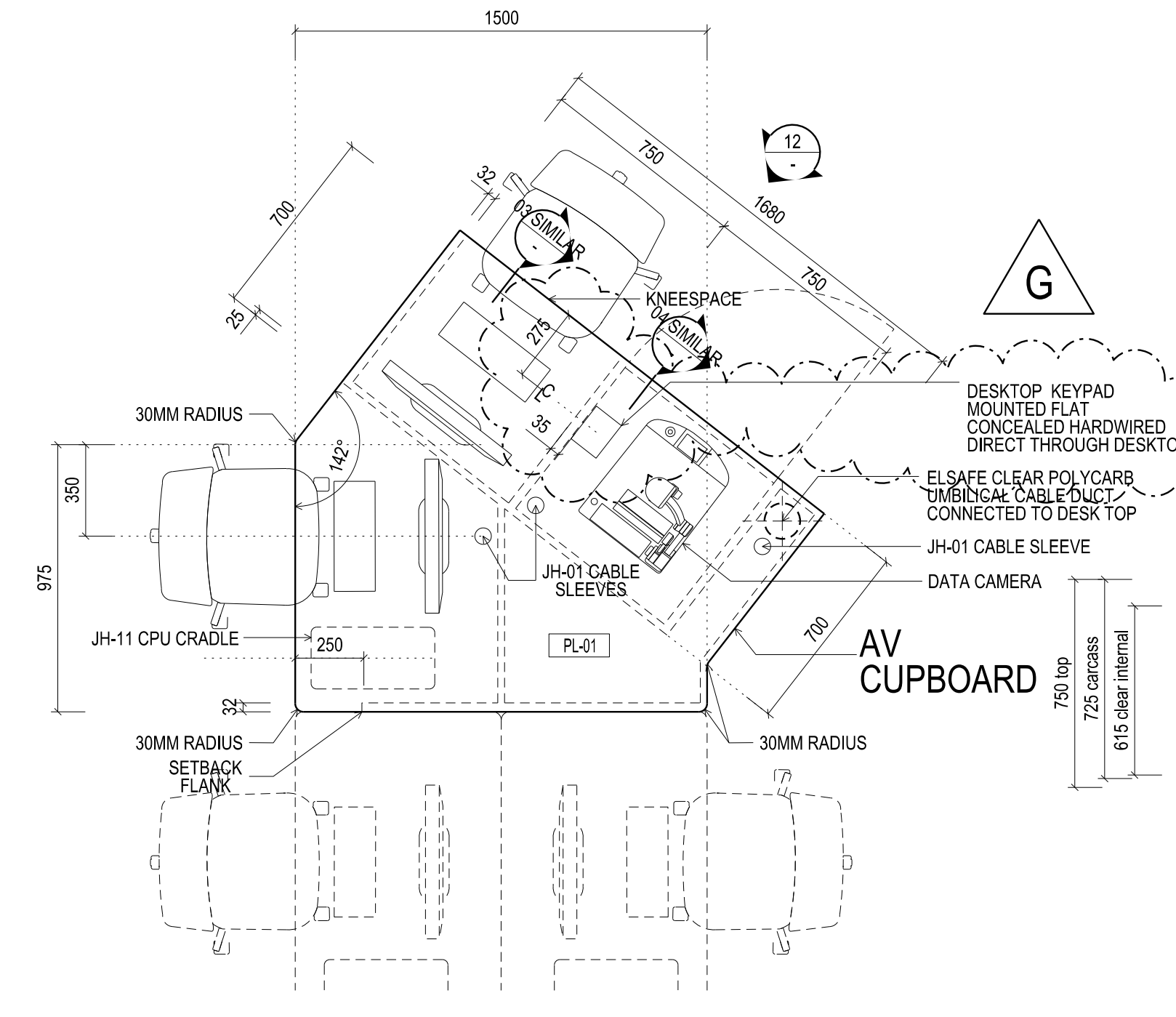


ELEVATION
CAD LAB JOINERY (ROOM 129)
SCALE 1:20@A3



ELEVATION
CAD LAB JOINERY (ROOM 129)
SCALE 1:20@A3

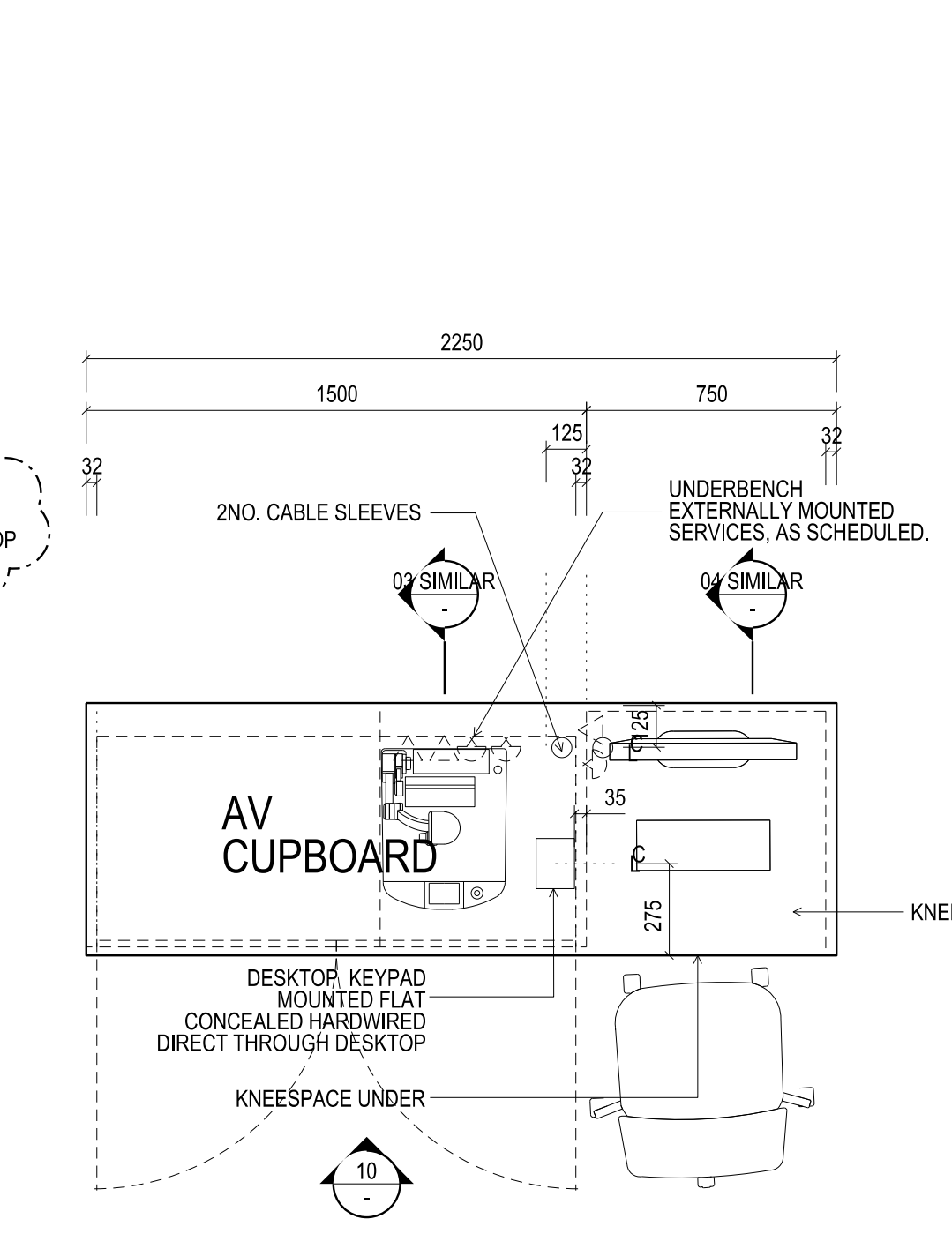
TYPE E - L1 CAD LAB AV CUPBOARD



PLAN
CAD LAB JOINERY (ROOM 129)
SCALE 1:20@A3

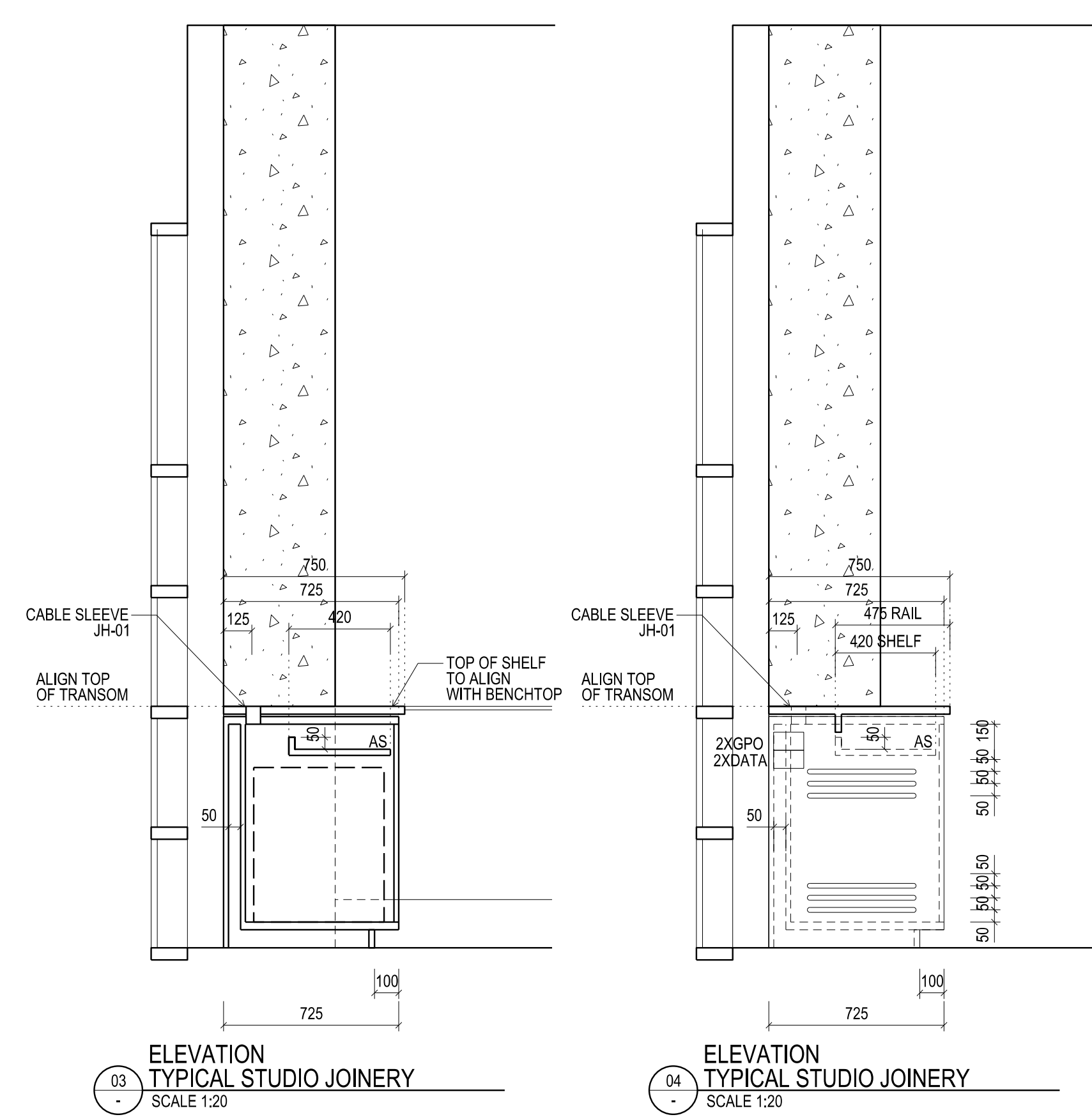
TYPE D - CAD LABS LEVEL 1

NOTE: 2 UNITS TOTAL. MIRROR ORIENTATION - REFER AR-8003



PLAN
CAD LAB JOINERY (ROOM 246)
SCALE 1:20@A3

TYPE C - CAD LAB LEVEL 2



ELEVATION
TYPICAL STUDIO JOINERY
SCALE 1:20

ELEVATION
TYPICAL STUDIO JOINERY
SCALE 1:20

TYPE B - SELECTED LEVEL 1 SOUTH STUDIOS



NADAAA

NADAAA Telephone +1 617 442 6232
1920 Washington Street No. 2 Fax +1 617 442 6232
Boston Massachusetts 02118 USA Email nadaaa@nadaaa.com

John Wardle Architects

25 Rokeby Street, Collingwood, Victoria 3066 Australia
Tel : +61 3 8662 0400 www.johnwardlearchitects.com
© 2014 John Wardle Architects ABN 83 006 814 268

Client University of Melbourne
Parkville Campus

Project Faculty of Architecture
Building and Planning

Title STUDIO/CADLAB AV
CUPBOARD DETAILS

Project No. 0913 Scale: 1:10 @ A0
Drawing No. AR 8263 Revision G
Date: Dec 2011

FOR CONSTRUCTION